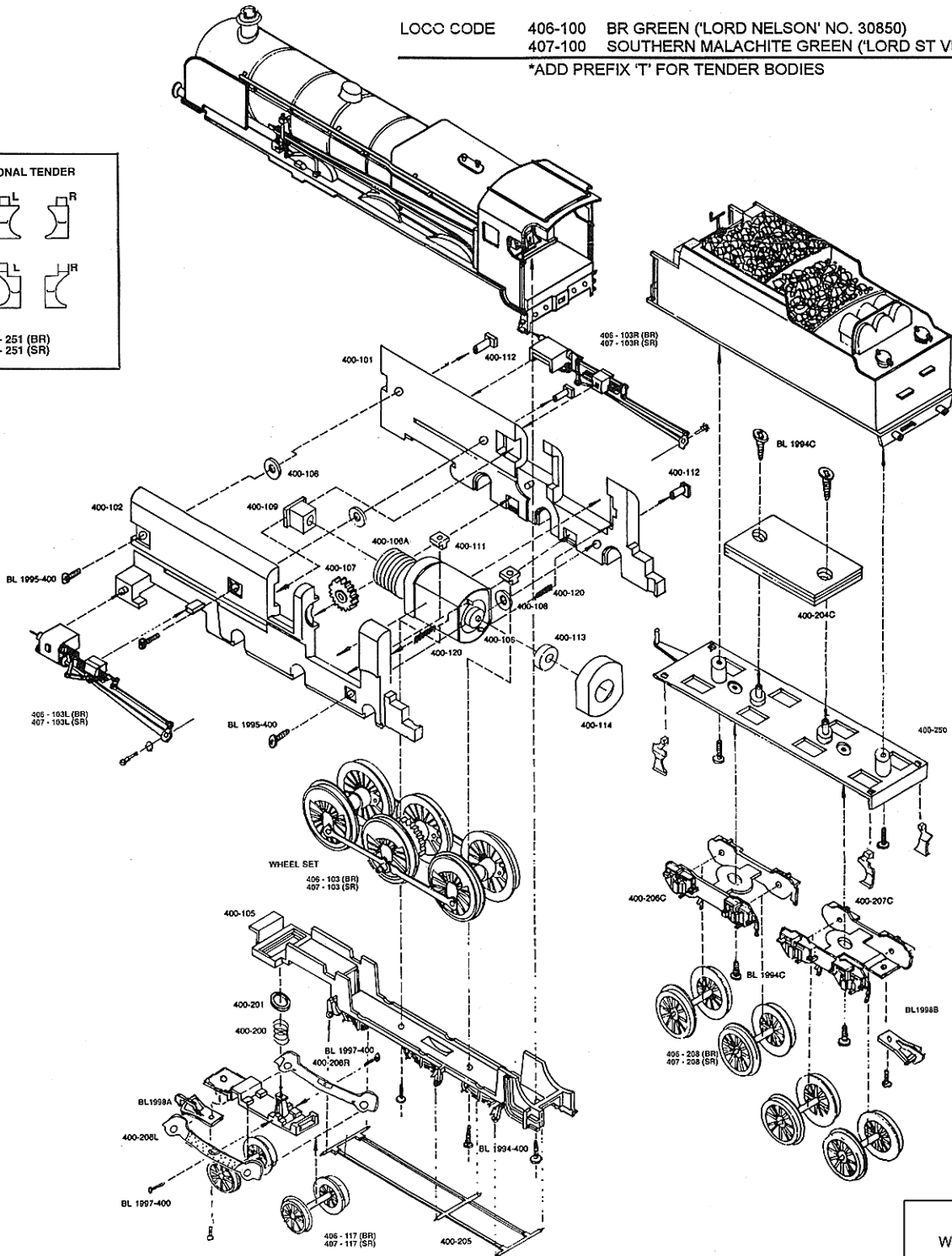
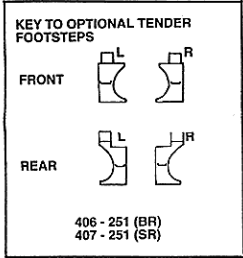


LORD NELSON

LOCC CODE 406-100 BR GREEN ('LORD NELSON' NO. 30850)
 407-100 SOUTHERN MALACHITE GREEN ('LORD ST VINCENT' NO. 856)
 *ADD PREFIX 'T' FOR TENDER BODIES



IMPORTANT!

When ordering any replacement parts, please ensure to quote the appropriate catalogue number/Livery of your Bachmann Locomotive in addition to the part number required.

Please quote the running number as well if required

PLEASE NOTE
 WE WOULD LIKE TO BRING
 YOUR ATTENTION TO
 RUNNING-IN WHICH IS
 NECESSARY WITH THIS TYPE
 OR DRIVE.
 RUN FOR APPROXIMATELY
 ONE HOUR TO ALLOW
 WORKING PARTS TO BED-IN.
 LIGHTLY OIL THE MOTOR
 BEARINGS AND GEARS WHEN
 REQUIRED.